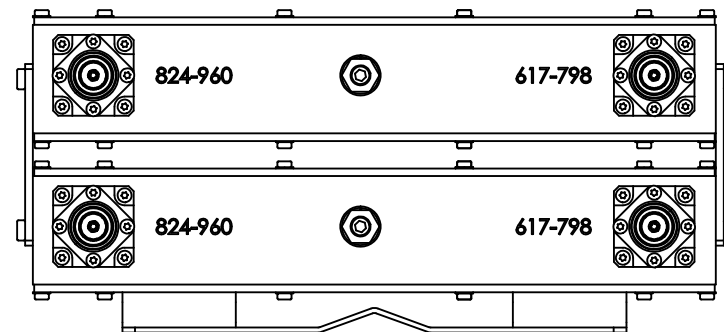
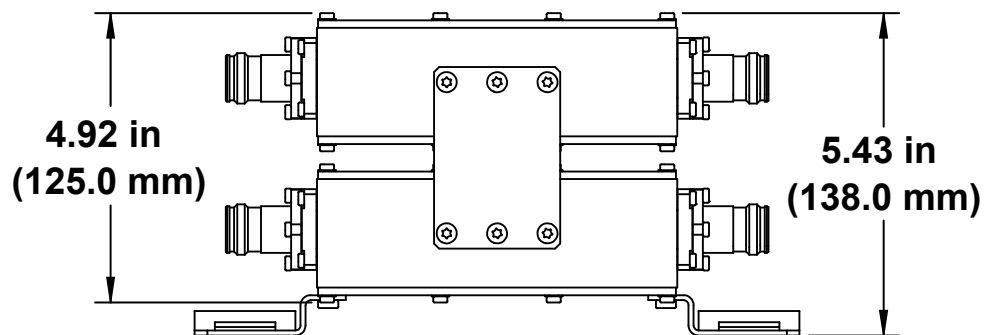
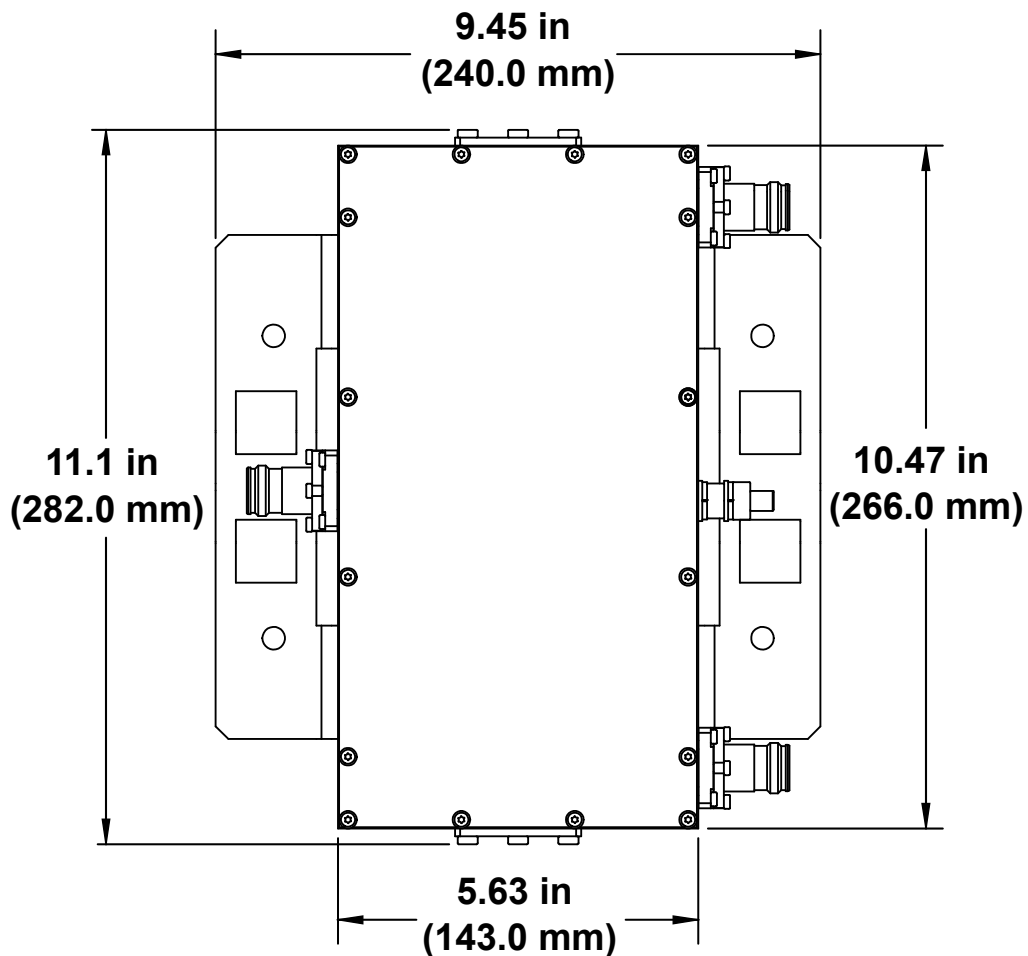


# DPO-6789B-D-T2 Dimensional Drawing



DD-DPO6789BDT2-V1.2-220324