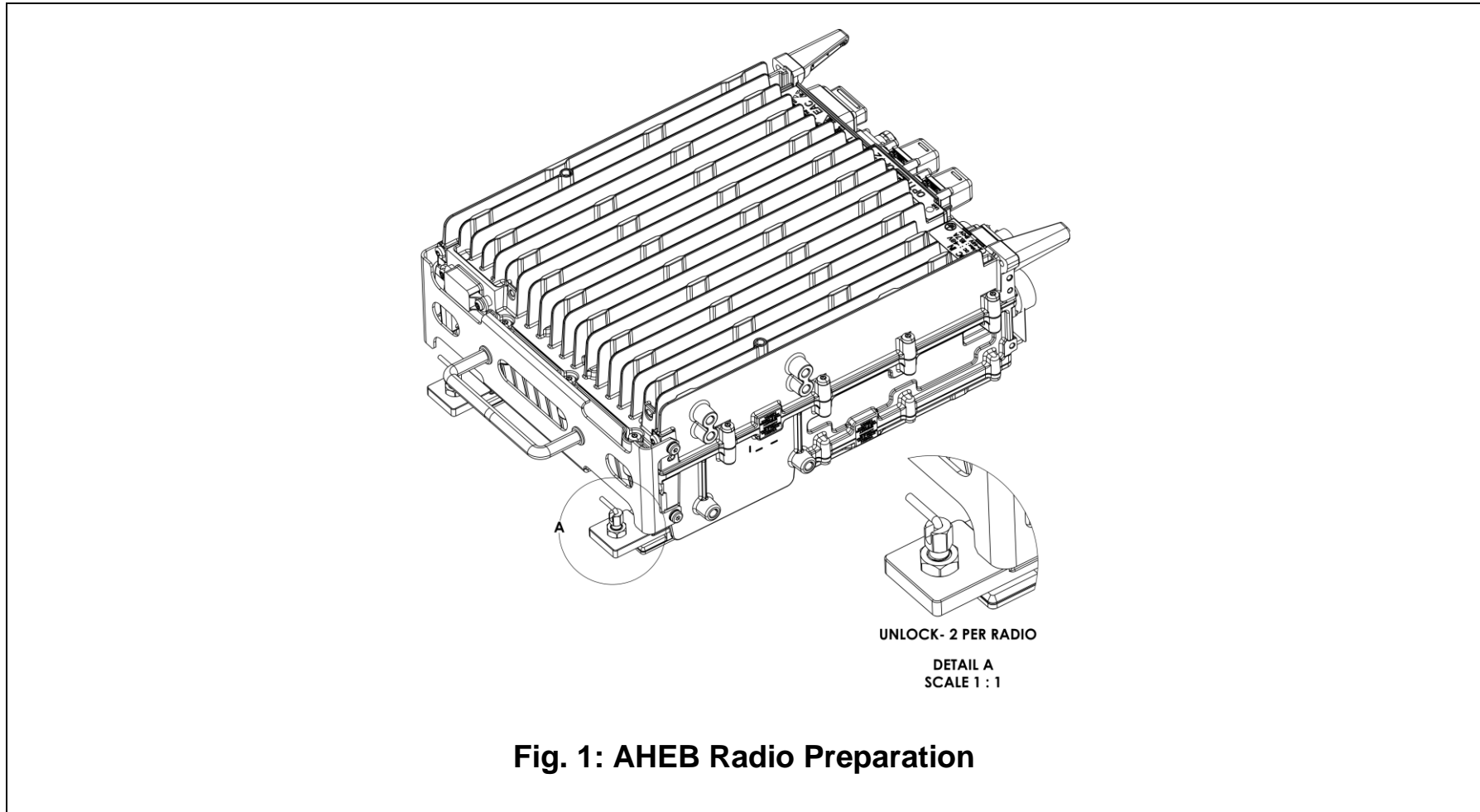
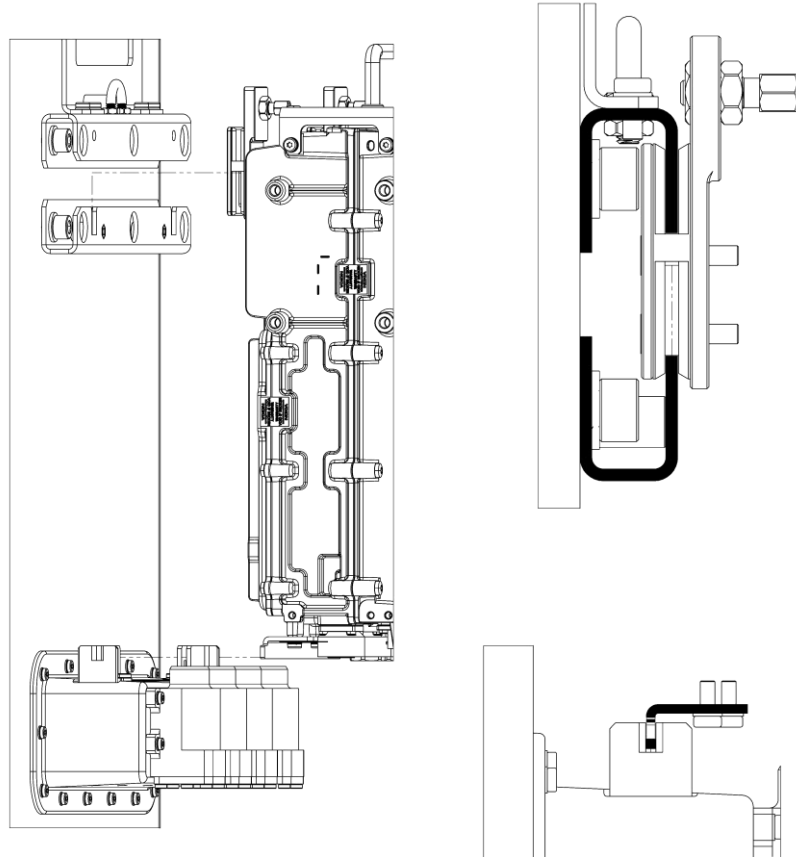


The installation, maintenance, or removal of an antenna requires qualified, experienced personnel. The installer must refer to the appropriate local safety codes and ensure proper electrical and electromagnetic compatibility before proceeding with the installation. All local codes shall take precedence over information in this document. Antenna systems should be inspected once a year by qualified personnel to verify proper installation, maintenance, and condition of equipment. Communication Components Antennas Inc. disclaims any liability or responsibility for the results of improper or unsafe installation.

**Note:** Radio installation starts with the lower unit, (AHEB) equipment with RM-06 installed. Mounting kit and pole removed for clarity from all images in this document.

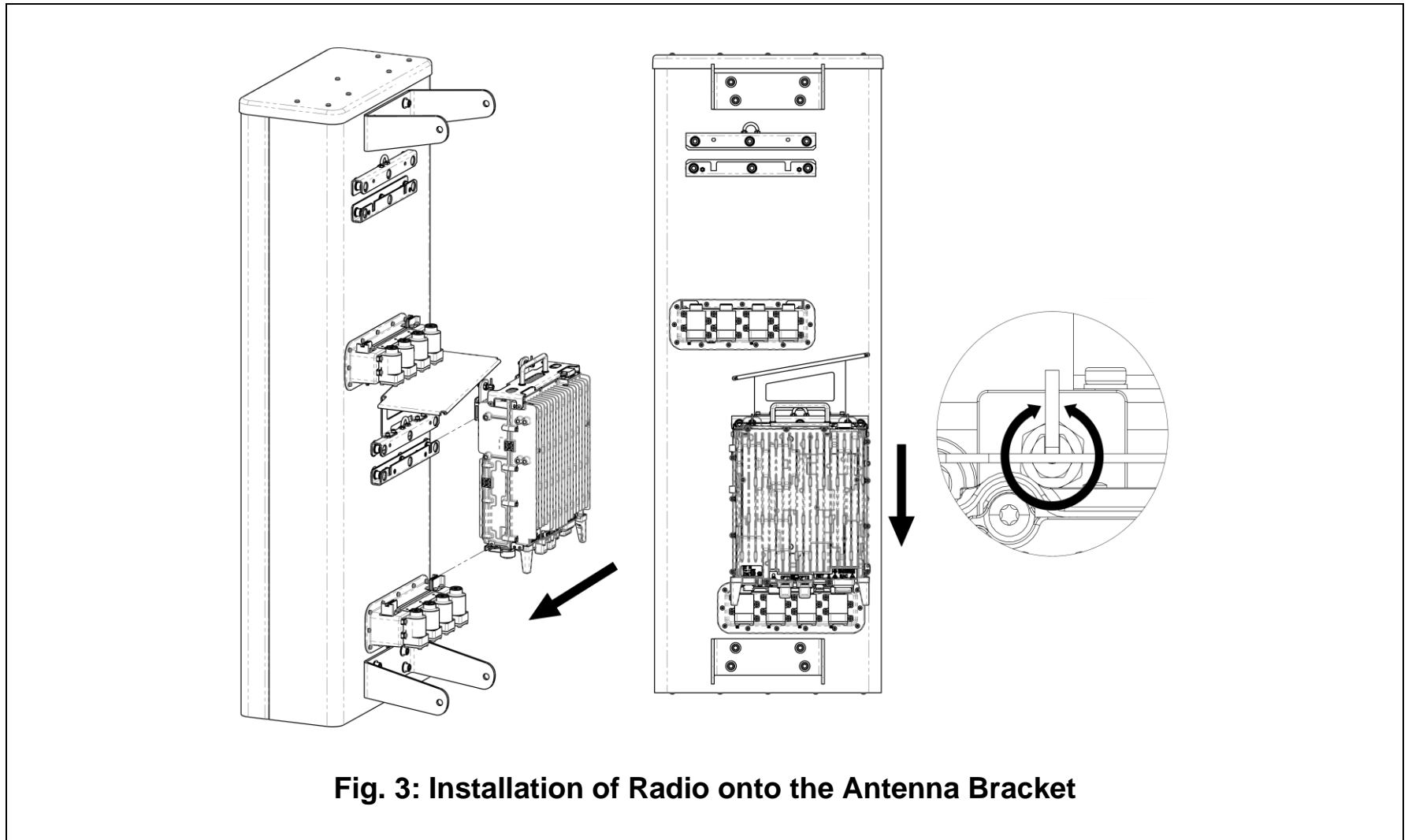


Step	Task
1	Lift and turn both locking pins to the unlocked position as shown in Detail A above.



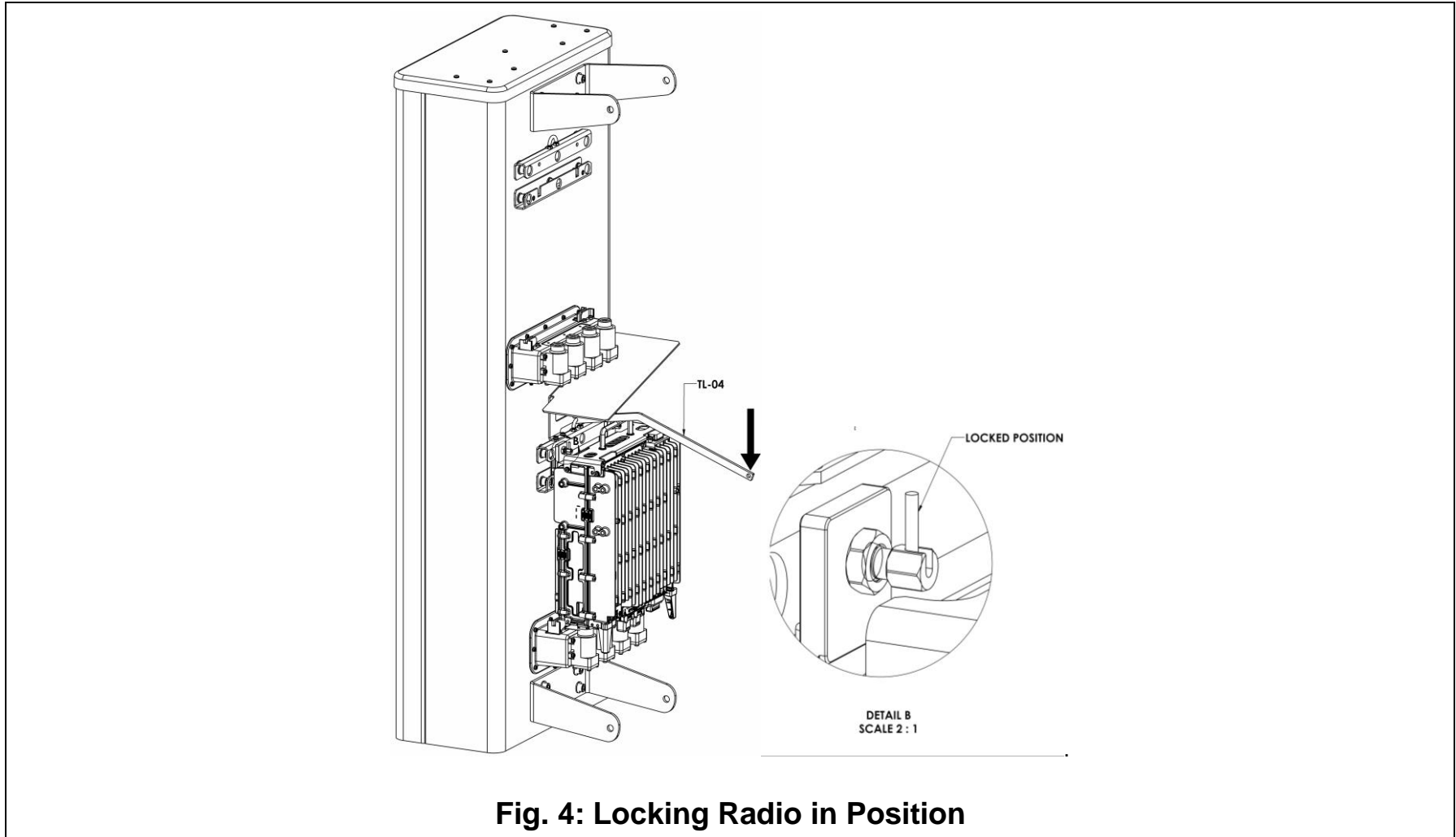
**Fig. 2: Radio aligned to antenna rails**

Step	Task
2	Align radio with it's corresponding rails and side to the left. (Note: Radios can be installed from left or right side of the antenna)



**Fig. 3: Installation of Radio onto the Antenna Bracket**

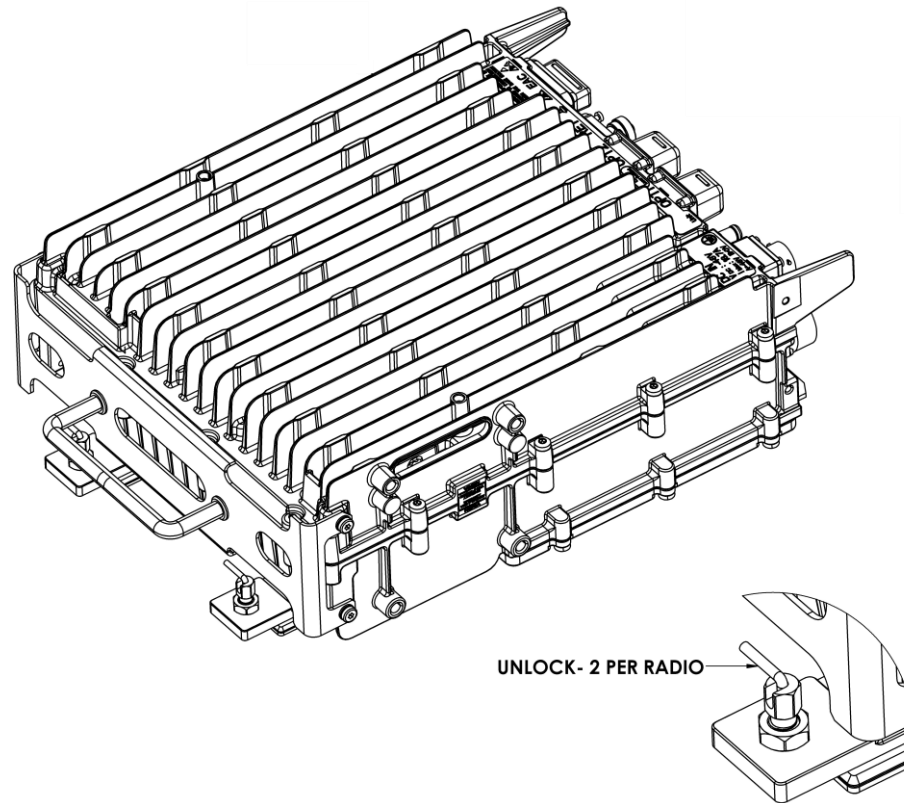
Step	Task
3	Slide the radio until the 4 radio connectors and bucket connector align, turn locking pin handle as shown in detail. (Note: Radios can be installed from left or right side of the antenna)



**Fig. 4: Locking Radio in Position**

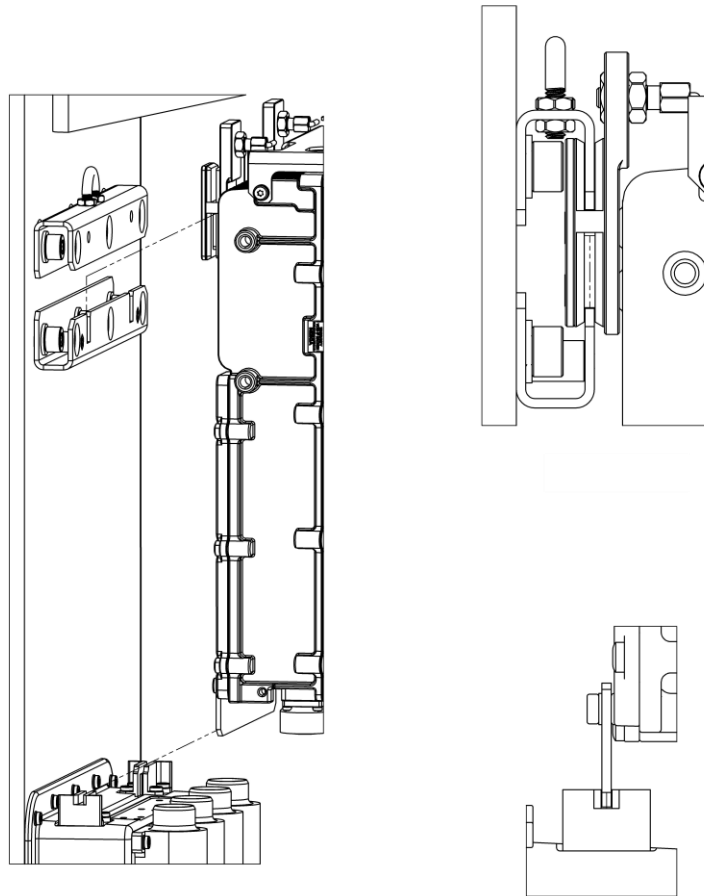
Step	Task
4	Using tool (TL-04) as shown, push down gently unit both spring lock snap into the locked position as shown in Detail B.

**Note:** Radio installation continues with the upper unit, (AHPC) equipment with RM-07 installed.



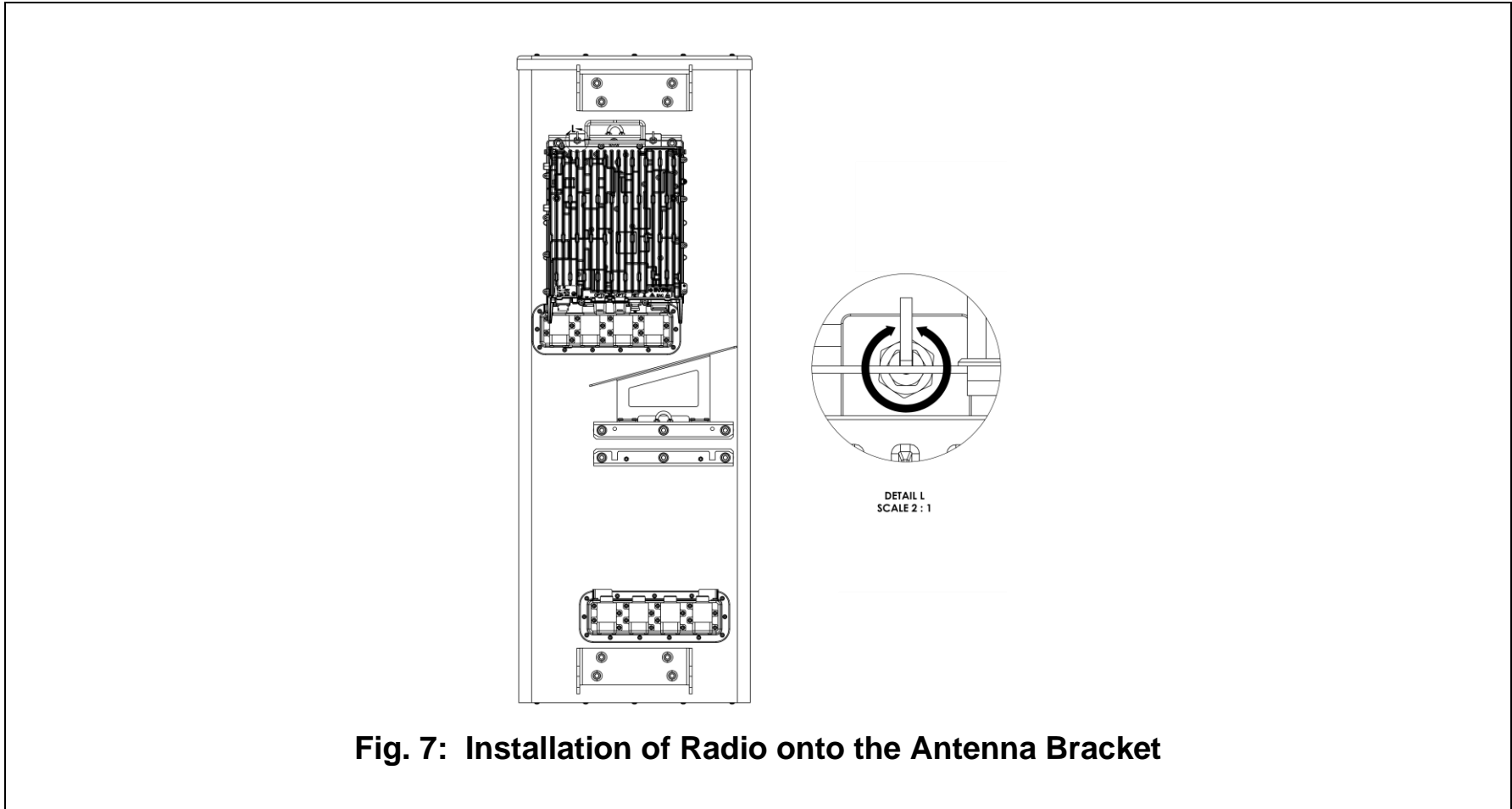
**Fig. 5: AHPC Radio Preparation**

Step	Task
5	Lift and turn both locking pins to the unlocked position as shown in Detail above.



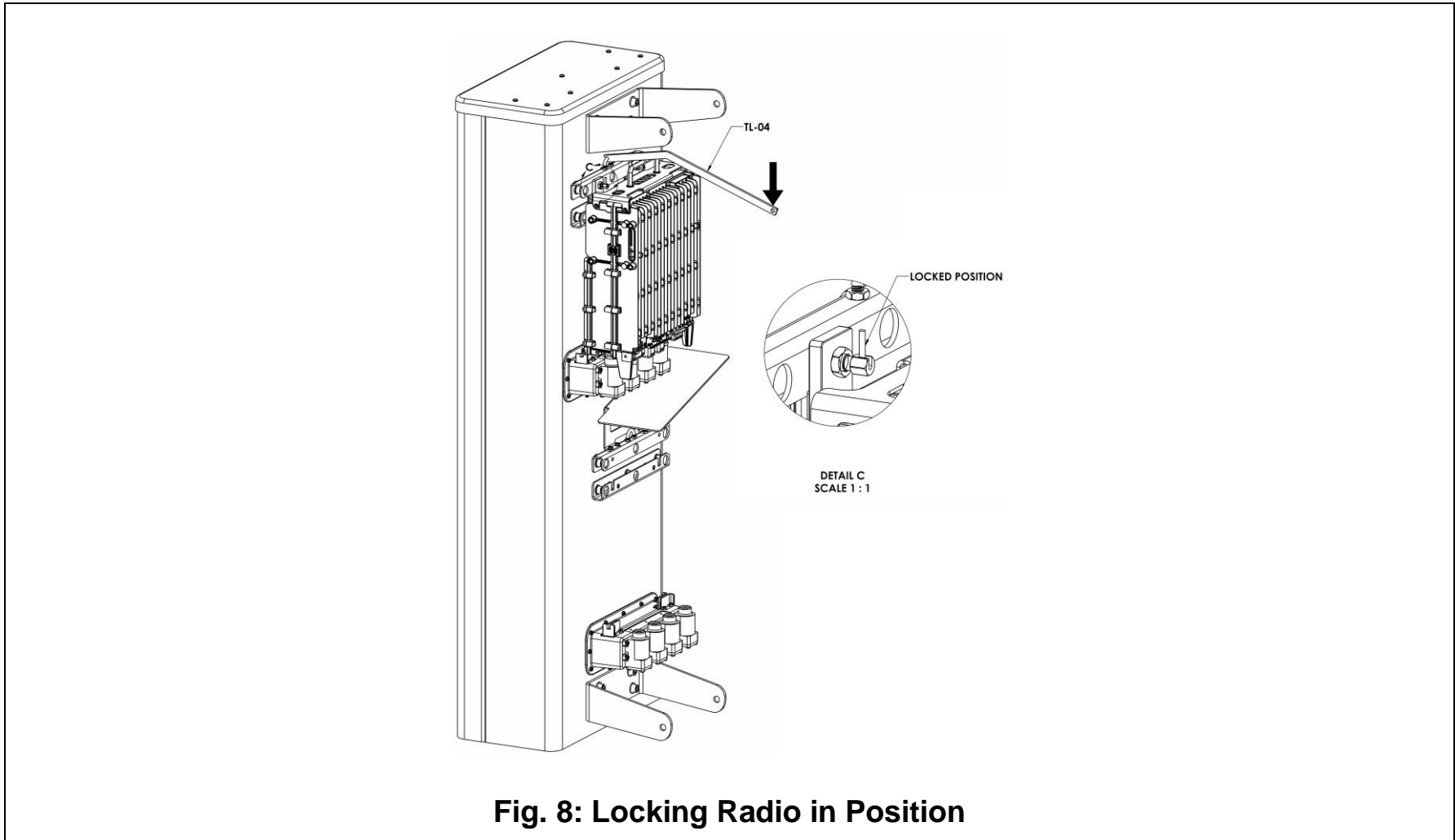
**Fig. 6: Radio aligned to antenna rails**

Step	Task
6	Align the radio with it's corresponding rails and side radio to the left. (Note: Radios can be installed from left or right side of the antenna)



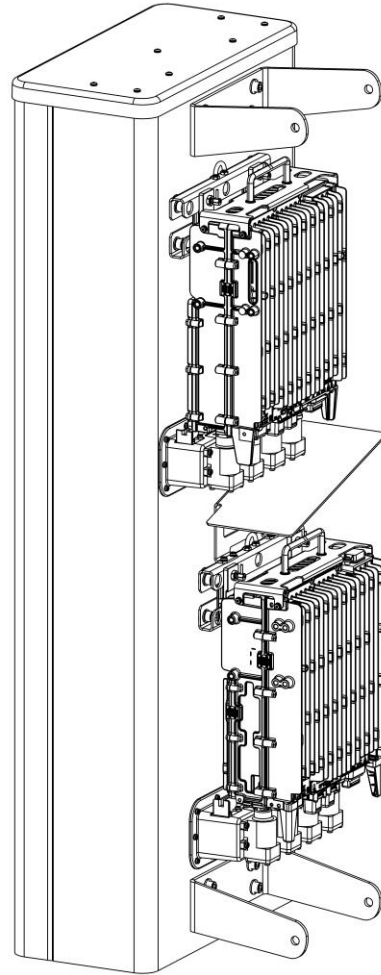
Step	Task
7	Slide the radio until the 4 radio connectors and bucket connector align, turn locking pin handle as shown in detail I. (Note: Radios can be installed from left or right side of the antenna).





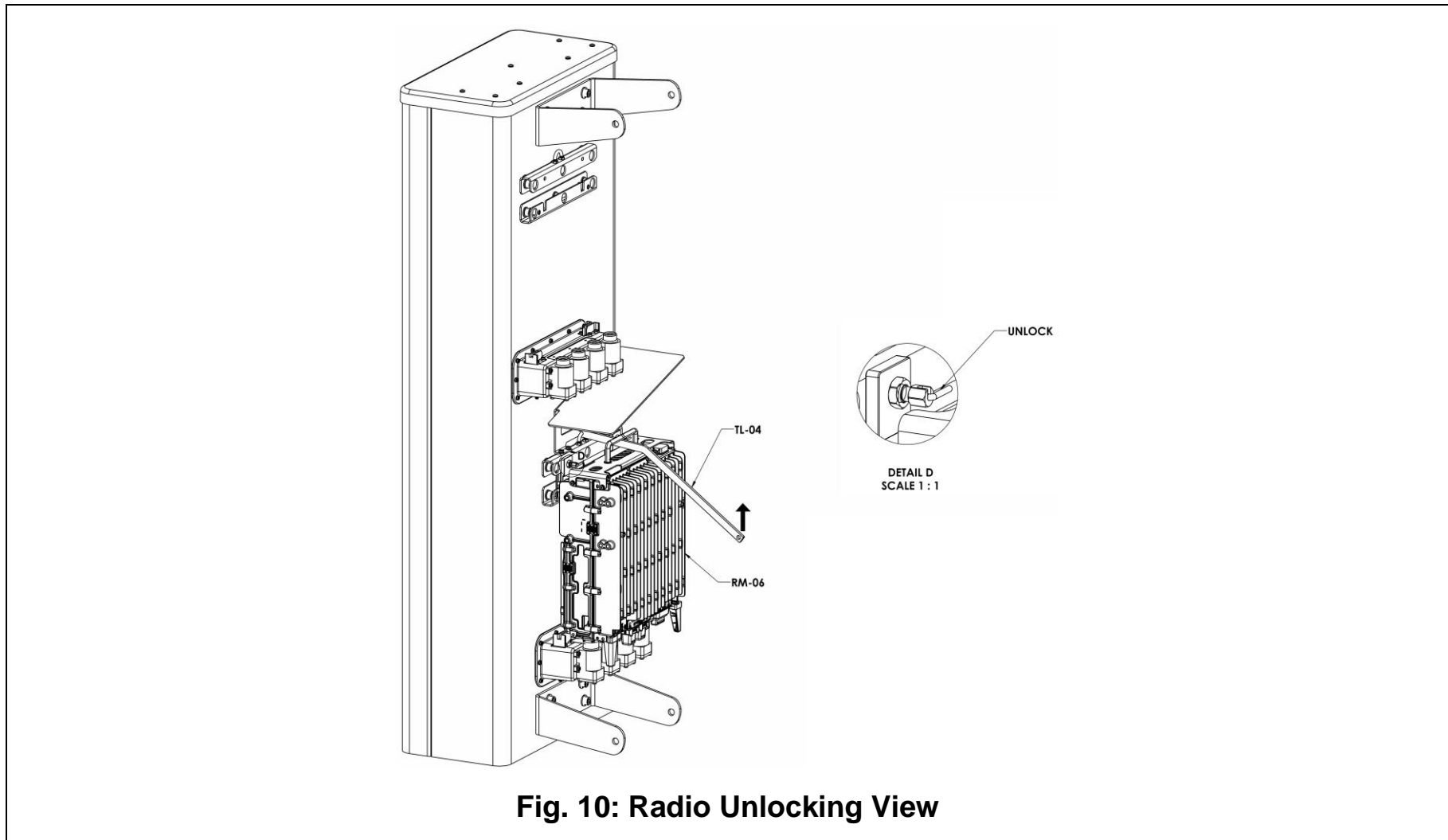
**Fig. 8: Locking Radio in Position**

Step	Task
8	Using tool (TL-04) as shown, push down gently unit both spring lock snap into the locked position as shown in Detail "C".



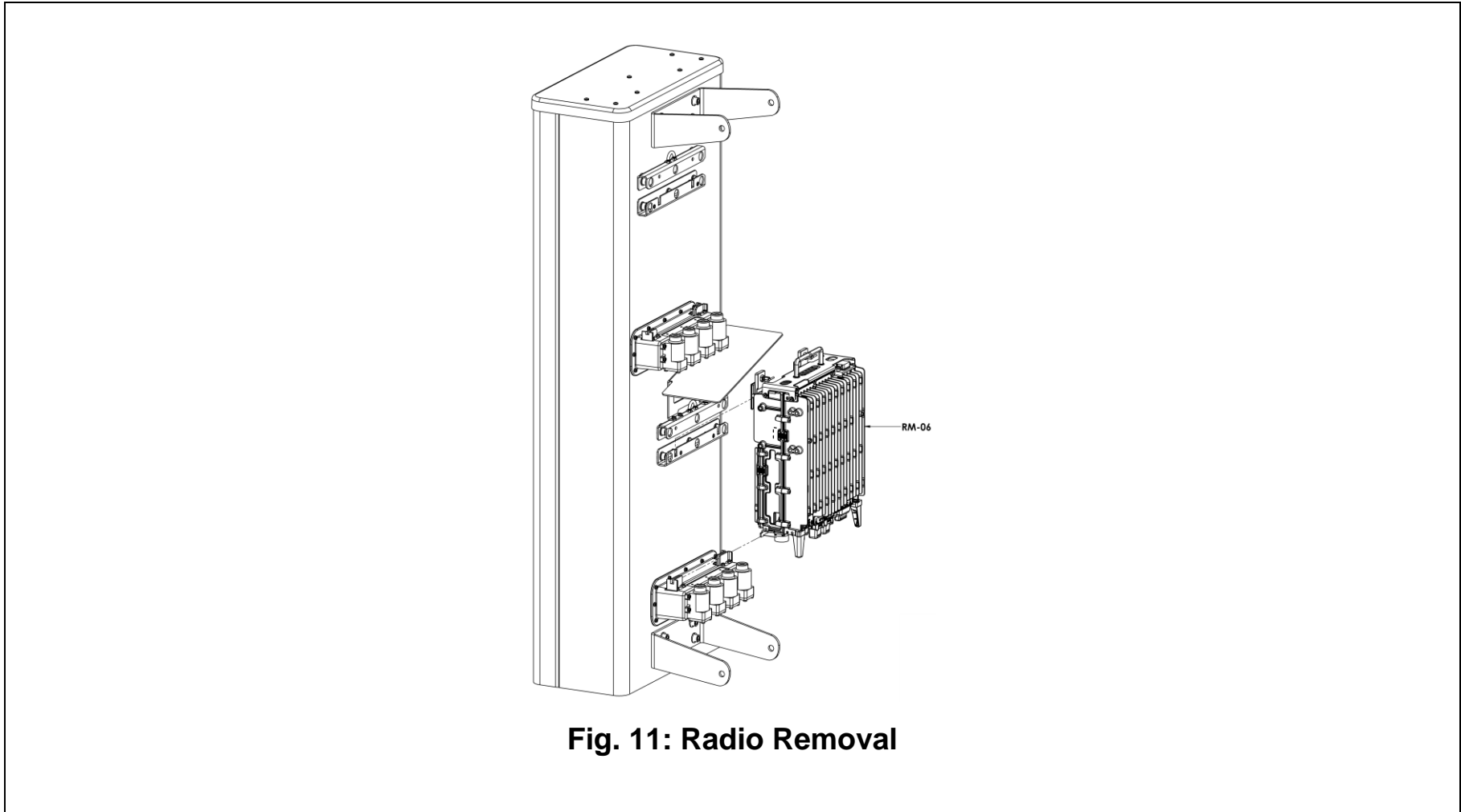
**Fig. 9: Final Installation View**

Radio removed process is the same for both lower and upper units.



**Fig. 10: Radio Unlocking View**

Step	Task
9	Pull and turn locking pins as showing in Detail "D" and using tool (TL-04) as shown, lift radio away from connector bucket assembly.



**Fig. 11: Radio Removal**

Step	Task
10	While lifting the radio towards the antenna top, slide radio assembly either to the left or right for full removal.