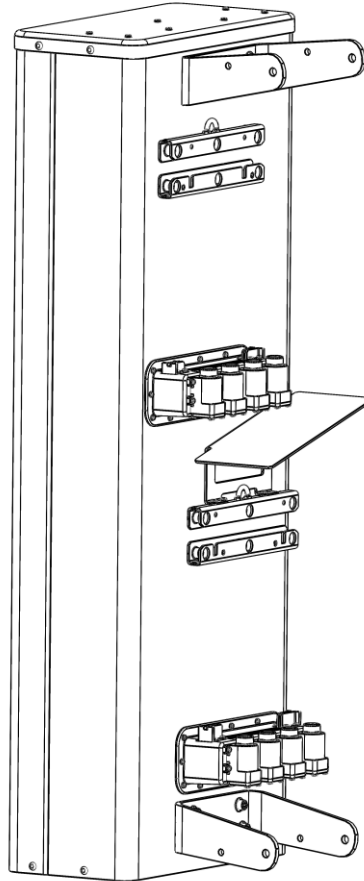


Document 50-000231

Revision 01



DISCLAIMER:

The installation, maintenance, or removal of an antenna requires qualified, experienced personnel. You must refer to the appropriate local safety codes and ensure proper electrical and electromagnetic compatibility before proceeding with the installation. All local codes shall take precedence over information in this document. Antenna systems should be inspected once a year by qualified personnel to verify proper installation, maintenance, and condition of equipment. Communication Components Antennas Inc. disclaims any liability or responsibility for the results of improper or unsafe installation.

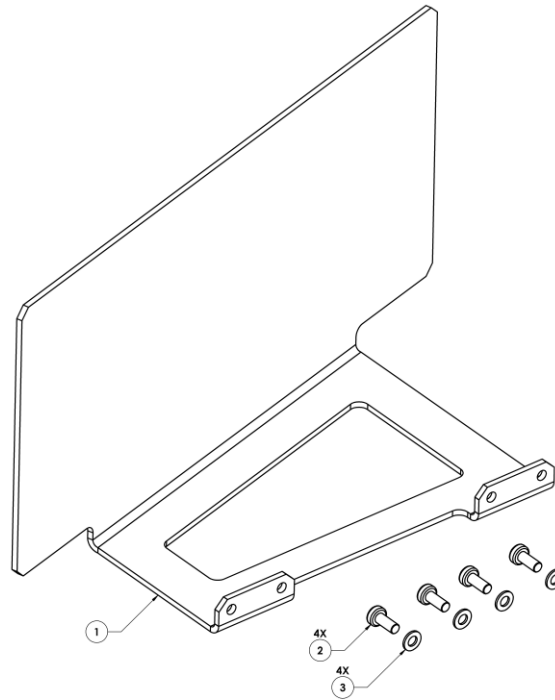
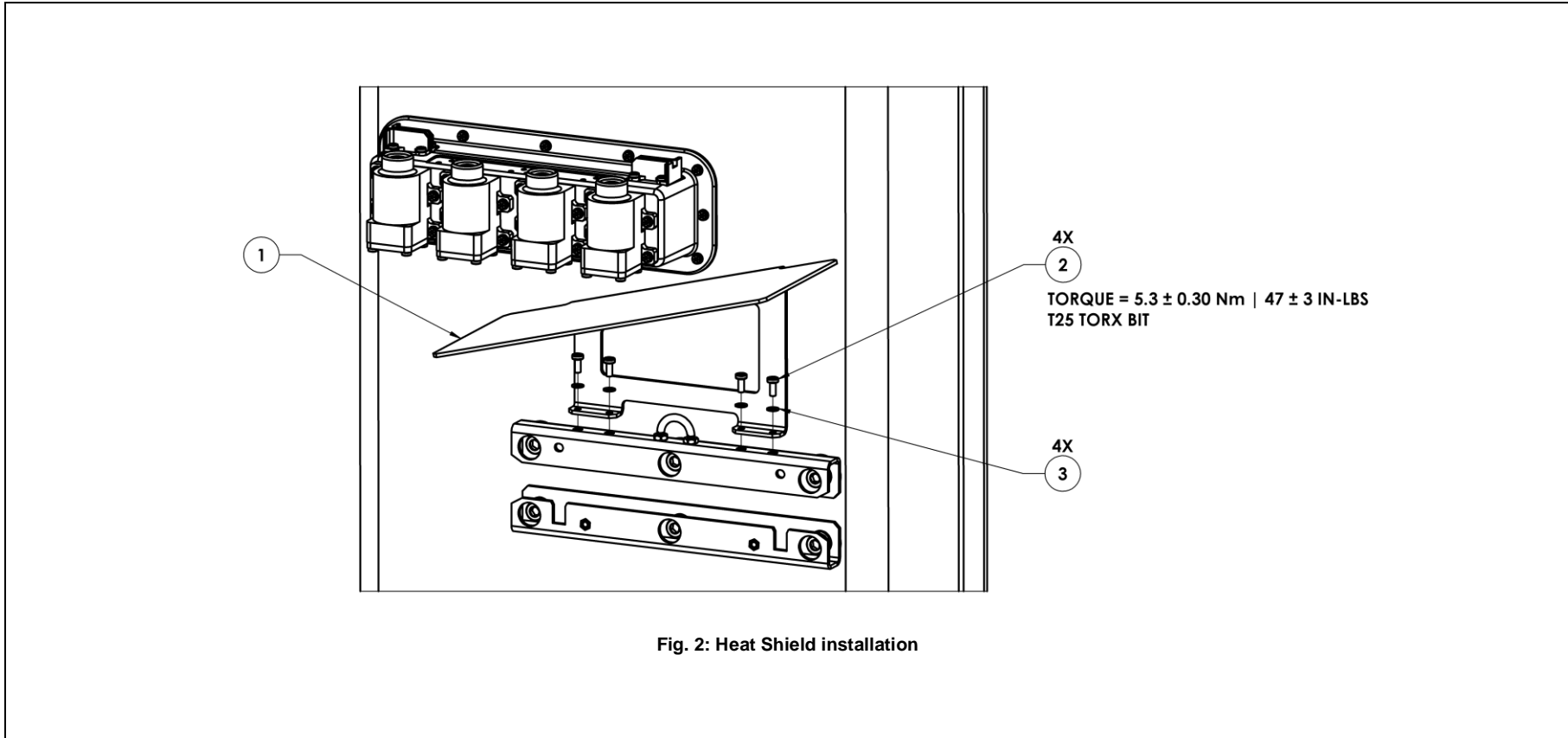


Fig. 1: Heat Shield BOM

ITEM	QTY	DESCRIPTION
1	1	HEAT SHIELD
2	4	SCREW, TPH, M5, SS, ZN-LA, 12MM
3	4	PLAIN WASHER, REGULAR, STAINLESS STEEL, M5



Task

Installation Place Heat Shield (Item 1) on rail and hold in place with four M5 screws (Item 2) and four M5 washers (Item 3) and torque to spec shown in Fig 2.

Removal To remove Shield (Item 1) remove four M5 screws (Item 2) and four M5 washers (Item 3)
