



- Patented LEGO Complimentary Array Topology allows for significantly higher gain in the LB and MB arrays, against similar sized competing products
- Patented LEGO Complimentary Array Topology solution provides an excellent alternative against Air Dielectric topology products
- Six foot (1.8 m) DualBand, twelve port antenna with a 65° azimuth beamwidth covering 698-896 MHz and 1695-2400 MHz frequencies
- Eight wide mid band ports covering 1695-2400 MHz and four wide low band ports covering 698-896 MHz in a single antenna enclosure
- Full Spectrum Compliance 698-896 MHz / 1695-2400 MHz
- LTE Optimized FBR and SPR performance, providing for an efficient use of valuable radio capacity
- LTE Optimized Boresight and Sector XPD and USL performance, essential for LTE Performance
- Exceeds minimum PIM performance requirements
- Equipped with 4.3-10 connectors
- Equipped with 3 field replaceable, integrated AISG 2.0 compliant Remote Electrical Tilt (RET) Controllers (Type 17 Internal)

Overview

The CCI 12-Port 65° DualBand array is a twelve port antenna, with eight wide mid band ports covering 1695-2400 MHz and four wide low band ports covering 698-896 MHz. The antenna provides the capability to deploy Dual 4x4 Multiple-input Multiple-output (MIMO) in the MB and 4X4 MIMO across low band ports. The CCI 12-Port 65° MB ports have independent tilt control between first and second set of 4X4 MIMO MB antenna arrays.

In this three RET configuration, the 1st RET is dedicated for the four LB ports. The 2nd RET is dedicated to the 1st 4X4 MIMO MB ports and the 3rd RET is dedicated to the second 4X4 MIMO MB ports. This RET arrangement allows for complete flexibility in coverage control between left and right mid band antenna arrays.

CCI antennas are designed and produced to ISO 9001 certification standards for reliability and quality in our state-of-the-art manufacturing facilities.

Applications

- Dual 4x4 MIMO for the MB and 4X4 MIMO LB ports
- Ready for Network Standardization on 4.3-10 connectors
- With CCI's DualBand antennas, wireless providers can connect multiple platforms to a single antenna, reducing tower load, lease expense, deployment time and installation costs



SPECIFICATIONS

DualBand Twelve-Port Antenna

TPA65R-BU6G

Electrical

Ports	4 x Low Band Ports for 698-896 MHz	
Frequency Range	698-806 MHz	824-896 MHz
Gain (Peak)	15.0 dBi	15.5 dBi
Gain (Average)*	14.3 dBi	15.0 dBi
Azimuth Beamwidth (-3dB)	62°	57°
Elevation Beamwidth (-3dB)	13.0°	11.8°
Electrical Downtilt	0° to 12°	0° to 12°
Elevation Sidelobes (1st Upper)	<-16 dB	<-17 dB
Front-to-Back Ratio @180°	> 35 dB	> 35 dB
Front-to-Back Ratio over ±20°*	26.3 dB	28.1 dB
Cross-Polar Discrimination at Peak	> 30 dB	> 30 dB
Cross-Polar Port-to-Port Isolation	> 25 dB	> 25 dB
Voltage Standing Wave Ratio (VSWR)	< 1.5:1	< 1.5:1
Passive Intermodulation (2x20W)	≤ -153 dBc	≤ -153 dBc
Input Power Continuous Wave (CW)	500 watts	500 watts
Polarization	Dual Linear 45°	Dual Linear 45°
Input Impedance	50 ohms	50 ohms
Lightning Protection	DC Ground	DC Ground

* Electrical specifications follow document "Recommendation on Base Station Antenna Standards" (BASTA) V11.1. All specifications are subject to change without notice.

Ports	8 x Mid Band Ports for 1695-2400 MHz			
Frequency Range	1695-1880 MHz	1850-1990 MHz	1920-2180 MHz	2300-2400 MHz
Gain (Peak)	18.5 dBi	18.6 dBi	19.1 dBi	19.6 dBi
Gain (Average)*	17.6 dBi	18.1 dBi	18.5 dBi	18.8 dBi
Azimuth Beamwidth (-3dB)	63°	60°	58°	56°
Elevation Beamwidth (-3dB)	5.0°	4.7°	4.4°	3.9°
Electrical Downtilt	0° to 8°	0° to 8°	0° to 8°	0° to 8°
Elevation Sidelobes (1st Upper)	<-18 dB	<-20 dB	<-20 dB	<-19 dB
Front-to-Back Ratio @180°	> 35 dB	> 35 dB	> 35 dB	> 35 dB
Front-to-Back Ratio over ±20°*	27.4 dB	26.5 dB	27.1 dB	28.5 dB
Cross-Polar Discrimination at Peak	> 30 dB	> 30 dB	> 30 dB	> 30 dB
Cross-Polar Port-to-Port Isolation	> 18 dB	> 18 dB	> 20 dB	> 23 dB
Voltage Standing Wave Ratio (VSWR)	< 1.5:1	< 1.5:1	< 1.5:1	< 1.5:1
Passive Intermodulation (2x20W)	≤ -153 dBc	≤ -153 dBc	≤ -153 dBc	≤ -153 dBc
Input Power Continuous Wave (CW)	300 watts	300 watts	300 watts	300 watts
Polarization	Dual Linear 45°	Dual Linear 45°	Dual Linear 45°	Dual Linear 45°
Input Impedance	50 ohms	50 ohms	50 ohms	50 ohms
Lightning Protection	DC Ground	DC Ground	DC Ground	DC Ground

* Electrical specifications follow document "Recommendation on Base Station Antenna Standards" (BASTA) V11.1. All specifications are subject to change without notice.



SPECIFICATIONS

DualBand Twelve-Port Antenna

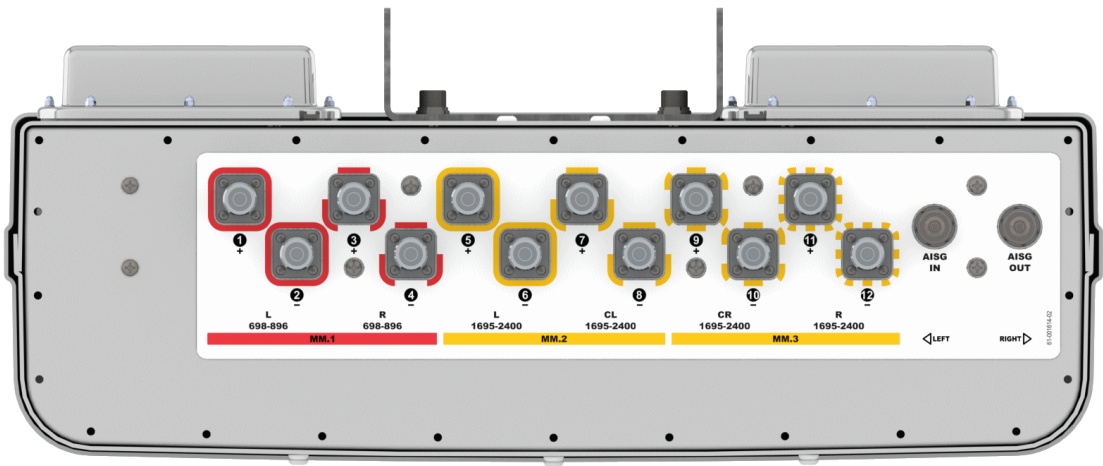
TPA65R-BU6G

Mechanical

Dimensions (LxWxD)	71.6x25.0x7.8 in (1818x635x197 mm)
Survival Wind Speed	> 150 mph (> 241 kph)
Front Wind Load ¹	305 lbf @ 100 mph 1357 N @ 161 kph
Side Wind Load ¹	52 lbf @ 100 mph 232 N @ 161 kph
Effective Projective Area (EPA), Front ¹	12.1 ft ² (1.1 m ²)
Weight *	90.5 lbs (41.1 kg)
RF Connector	12 x 4.3-10 female
Mounting Pole	2 to 5 in (5 to 12 cm)

¹Windload values calculated using CFD analysis
* Weight excludes mounting

Bottom View



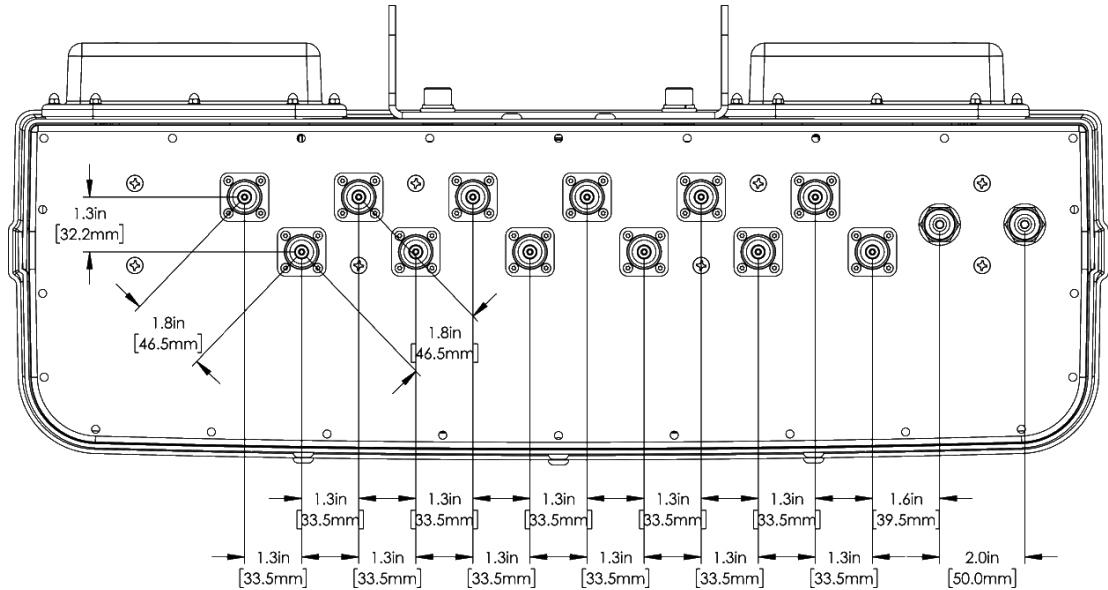
DualBand Twelve-Port Antenna

TPA65R-BU6G

SPECIFICATIONS

Mechanical

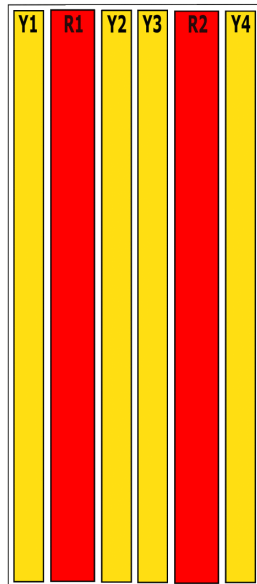
Connector Spacing



RET to Element Configuration

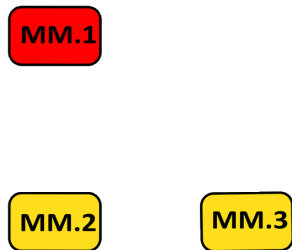
TPA65R-BU6GB Element and RET configuration (Type 17 Internal RET)

**Top of antenna
Viewed from rear**



**RET placement
as viewed from rear
of antenna**

Top of antenna



Array	Ports	Freq (MHz)	Ports controlled by common RET	AISG RET UID
R1	1, 2	698-896	1, 2, 3, 4	ClxxxxxMM.1
R2	3, 4	698-896		
Y1	5, 6	1695-2400	5, 6, 7, 8	ClxxxxxMM.2
Y2	7, 8	1695-2400		
Y3	9, 10	1695-2400	9, 10, 11, 12	ClxxxxxMM.3
Y4	11, 12	1695-2400		

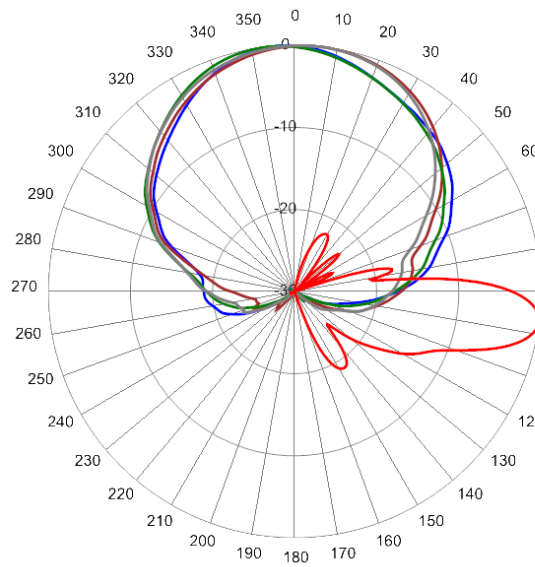


DualBand Twelve-Port Antenna

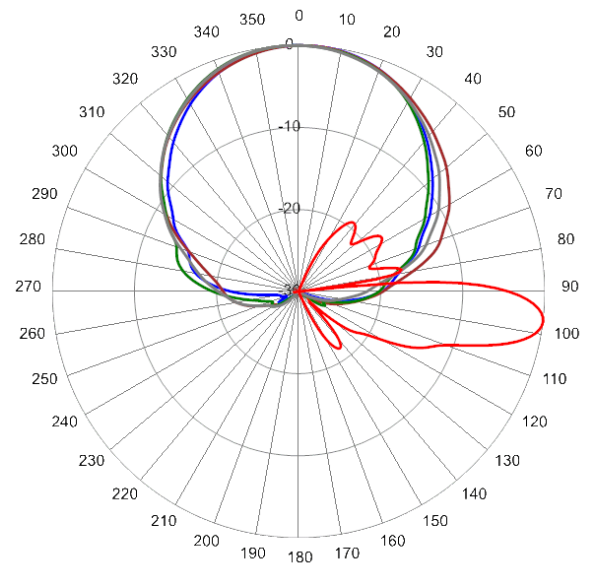
TPA65R-BU6G

Typical Antenna Patterns

For detailed information on additional antenna patterns, contact customer support at support@cciproducts.com



734 MHz Azimuth with Elevation 6°



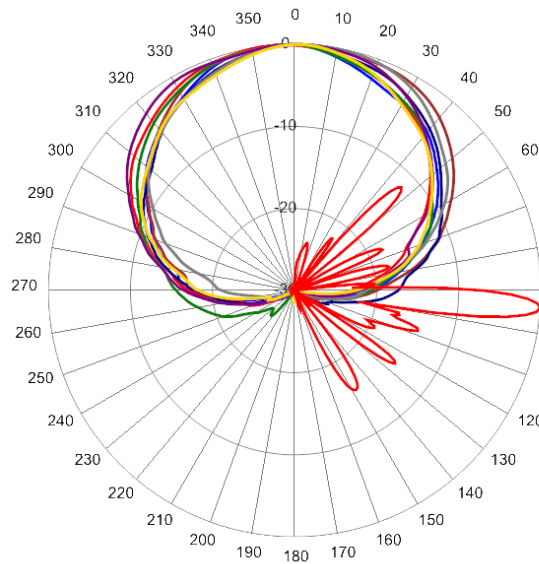
824 MHz Azimuth with Elevation 6°



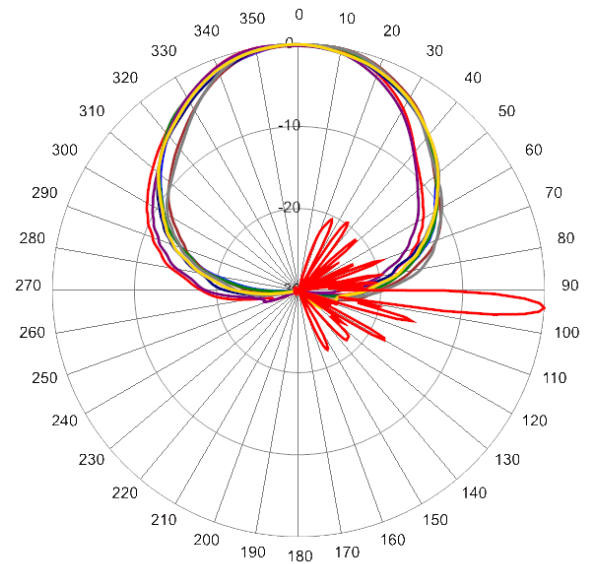
DualBand Twelve-Port Antenna

TPA65R-BU6G

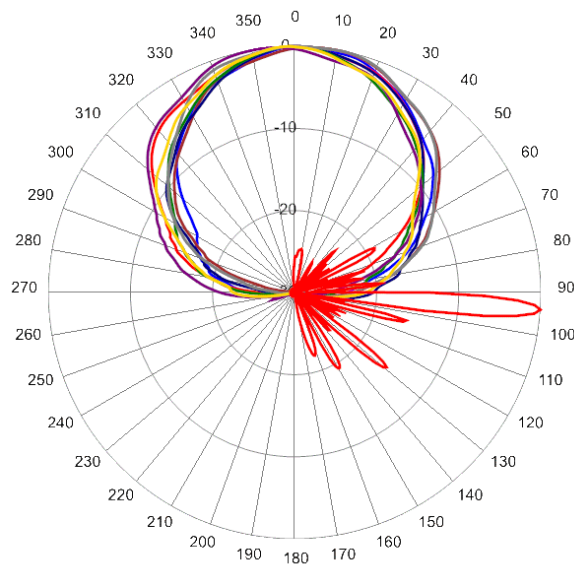
Typical Antenna Patterns



1720 MHz Azimuth with Elevation 4°



2110 MHz Azimuth with Elevation 4°



2360 MHz Azimuth with Elevation 4°



ORDERING

DualBand Twelve-Port Antenna

TPA65R-BU6G

Parts & Accessories

TPA65R-BU6GB-K	Six foot (1.8 m) DualBand antenna with 65° azimuth beamwidth, 4.3-10 female connectors, 3 factory installed BSA-RET400 RET actuators and MBK-16 mounting bracket
MBK-01	Mounting bracket kit (top and bottom) with 0° to 10° mechanical tilt adjustment
MBK-16	Mounting bracket kit (top and bottom) with fixed 0° mechanical tilt
BSA-RET400	Type 17 Internal Remote Electrical Tilt System (RET)
AISGC-M-F-10FT	Ten foot (3 m) Male/Female RRU to Antenna AISG cable

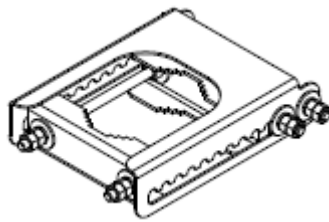


Mounting Bracket Kit

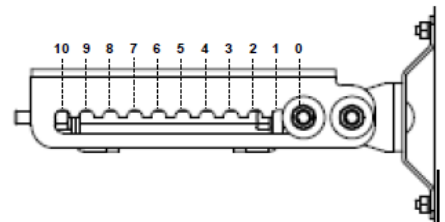
MBK-01

Mechanical

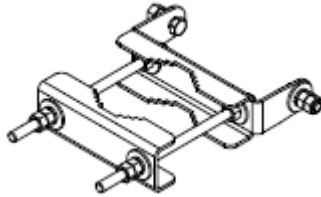
Weight	12.6 lbs (5.7 kg)
Hinge Pitch	47.25 in (1200 mm)
Mounting Pole Dimension	2 to 5 in (5 to 12 cm)
Fastener Size	M12
Installation Torque	40 ft·lb (54 N·m)
Mechanical Tilt Adjustment	0° - 10°



MBK-01 Top Adjustable Bracket



MBK-01 Top Adjustable Bracket Side View



MBK-01 Bottom Fixed Bracket

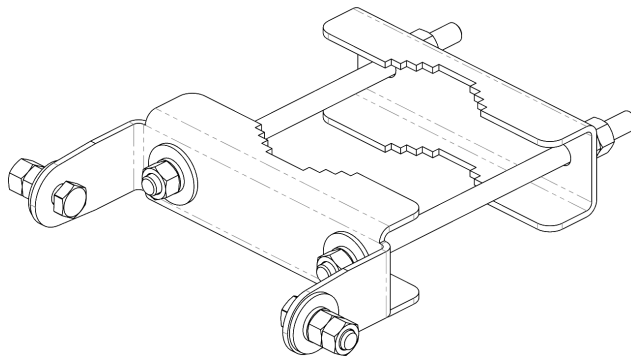
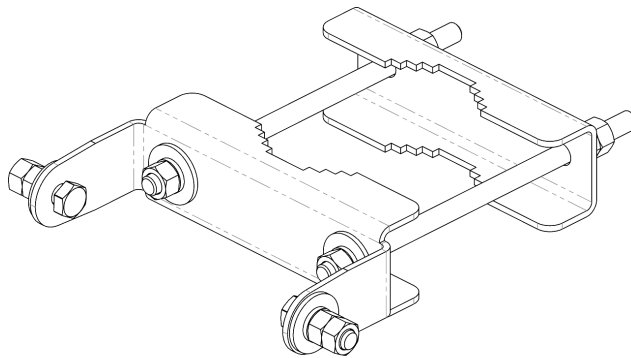


Mounting Bracket Kit

MBK-16

Mechanical

Weight	9.9 lbs (4.5 kg)
Hinge Pitch	47.25 in (1200 mm)
Mounting Pole Dimension	2 to 5 in (5 to 12 cm)
Fastener Size	M12
Installation Torque	40 ft·lbs (54 N·m)
Mechanical Tilt	0°



MBK-16 Top and Bottom Bracket



Internal Remote Electrical Tilt (iRET)

BSA-RET400

General Specifications

Part Number	BSA-RET400
Protocols	AISG 2.0
RET Type	Type 17
Adjustment Cycles	>10,000 cycles
Tilt Accuracy	±0.1°
Temperature Range	-40° C to 70° C

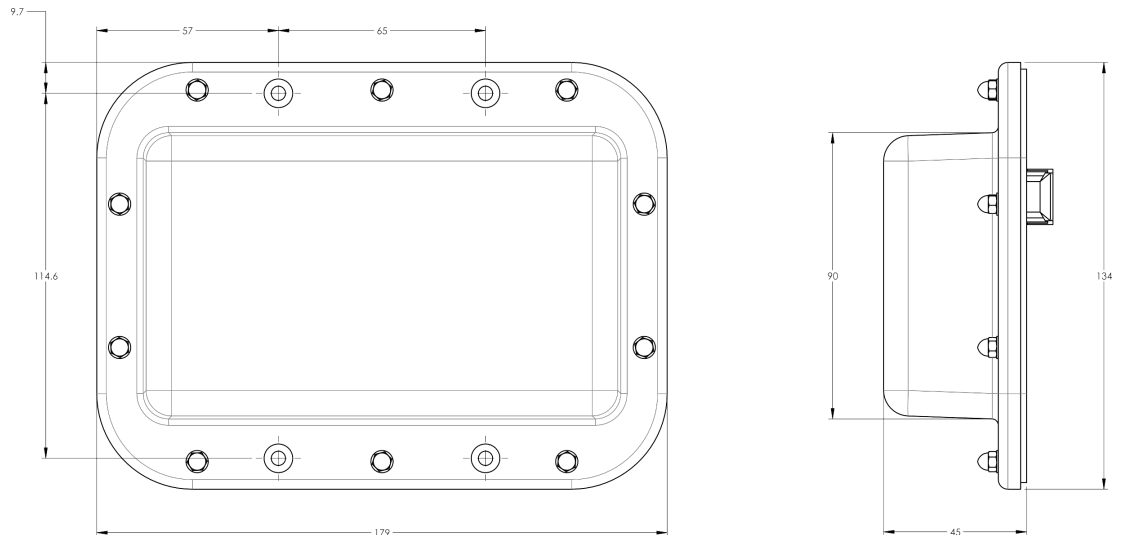
Electrical

Data Interface Signal	DC
Input Voltage	10-30 Vdc
Current Consumption Tilt	100 mA at $V_{in}=24$ (500 mA MAX)
Current Consumption Idle	10 mA at $V_{in}=24$

Mechanical

Dimensions (LxWxD)	7.0x5.3x1.8 in. (179x134x45 mm)
Housing	ASA/ABS/Aluminum
Weight	1.3 lbs (0.6 kg)

ASA= Acrylic Styrene Acrylonitrile
ABS=Acrylonitrile Butadiene Styrene





AISG Cable

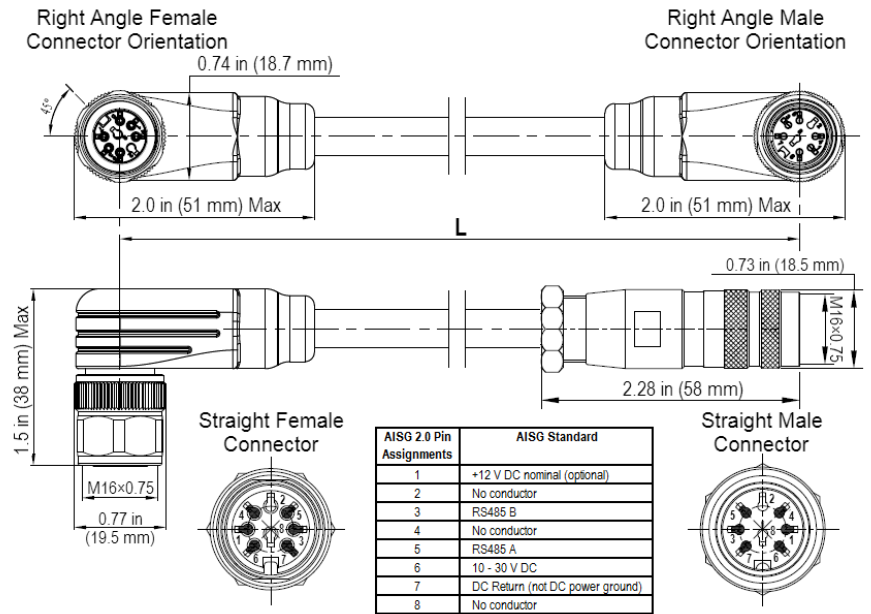
AISGC-M-F-xFT

Electrical Specifications

Individual Cable Part Number	AISGC-M-F-x(FT)
Cable style	UL2464
Protocol	AISG 1.1 and AISG 2.0
Maximum voltage	300 V
Rated current	5 A at 104° F (40° C)

Mechanical Specifications

Individual Cable Part Number	AISGC-M-F-x(FT)
Cables per kit	1
Connectors	2 x 8 pin IEC 60130-9 Straight male/straight female
Tightening torque	Hand tighten only \approx 1.84 ft-lbs (2.5 Nm)
Construction	Shielded (Tinned Copper Braid)
Braid coverage	85%
Jacket Material	Matte Polyurethane (Black)
Conductors	1 twisted pair - 24 AWG 3 conductors - 19 AWG AWM style 2464
Cable Diameter	0.307 in (7.8 mm)
Length	See order details
Minimum bend radius	3.15 in (80 mm)



AISG-Male to AISG-Female Jumper Cable



Environmental Specifications

Individual Cable Part Number	AISGC-M-F-xFT
Temperature Range	-40° to 80° C
Flammability	UL 1581 VW-1
Ingress Protection	IEC 60529:2001, IP67



STANDARDS & CERTIFICATIONS

DualBand Twelve-Port Antenna

TPA65R-BU6G

Standards & Compliance

Safety	EN 60950-1, UL 60950-1
Emission	EN 55022
Immunity	EN 55024
Environmental	IEC 60068-2-1, IEC 60068-2-2, IEC 60068-2-5, IEC 60068-2-6, IEC-60068-2-11, IEC 60068-2-14, IEC 60068-2-18, IEC 60068-2-27, IEC 60068-2-29, IEC 60068-02-30, IEC 60068-2-52, IEC 60068-2-64, GR-63-CORE 4.3.1, EN 60529, IP 24

Certifications

Antenna Interface Standards Group (AISG), Federal Communication Commission (FCC) Part 15 Class B, CE, CSA US, ISO 9001

