

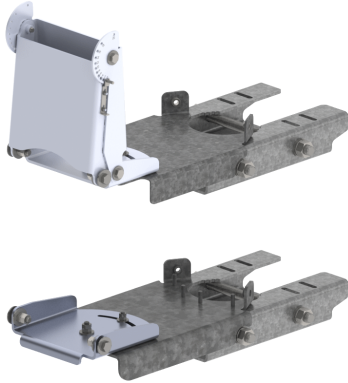


# Antennas

DATA SHEET

## Mounting Bracket Kit

MBK-48



- This two part antenna mounting bracket is designed for use with CCI's OPA65R-BW4A antenna when mechanical tilt is required
- Bracket kit allows  $\pm 30^\circ$  of horizontal antenna adjustment
- Bracket kit has  $0^\circ - 20^\circ$  of mechanical downtilt or uptilt, at  $2^\circ$  increments
- Bracket kit utilizes a locking pin to ensure proper downtilt setting
- Bracket kit can be used for downtilted or uptilted installations
- Rugged and weather resistant design
- Adjustable clamps fit pole diameter from 3.5 – 5.5 in (89 – 140 mm)

### Overview

This Pole Mounting Bracket is designed for use with CCI's OPA65R-BW4A antenna. The MBK-48 bracket kit delivers a very stable mounting and offers 0 to 20 degrees of down tilt or by reversing top and bottom brackets 0 to 20 degrees of up tilt. Azimuth swivel of  $\pm 30$  degrees is built in to the design. The rugged design supports CCI's antennas while resisting the elements. The clamps adjust to fit pole diameters ranging from 3.5 – 5.5 inches (89 – 140 mm).

CCI antenna brackets are designed and produced to ISO 9001 certification standards for reliability and quality in our state-of-the-art manufacturing facilities.

### Applications

- Ideal for pole mounting in urban settings



# Antennas

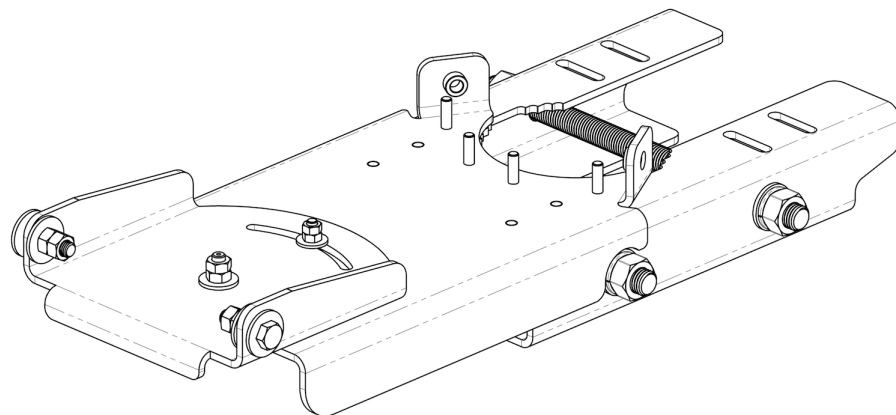
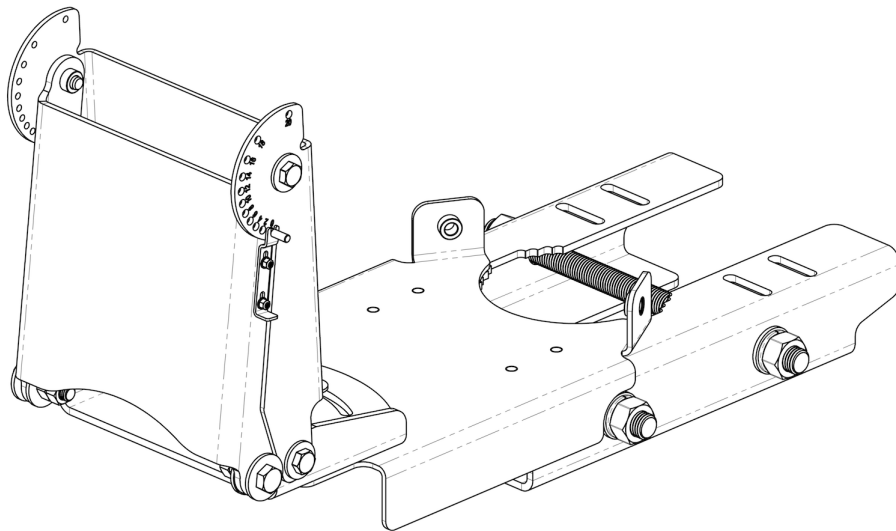
## SPECIFICATIONS

### Mounting Bracket Kit

MBK-48

#### Mechanical

<b>Weight</b>	72.3 lbs (32.8 kg)
<b>Hinge Pitch</b>	51.18 in (1300 mm)
<b>Mounting Pole Dimension</b>	3.5 to 5.5 in (89 to 140 mm)
<b>Fastener Size</b>	M8 HEX NUT, DIN 934, ISO 4032 M10 HHC SCREW, DIN 933, ISO 4017 M12 HHC SCREW, DIN 933, ISO 4017 M12 HEX NUT, DIN 934, ISO 4032 M20 HEX NUT, DIN 934, ISO 4032
<b>Mechanical Tilt</b>	0° to 20°
<b>Mechanical Swivel</b>	± 30°



MBK-48



# Antennas

ORDERING

Mounting Bracket Kit

MBK-48

Parts & Accessories

Model number MBK-48

Overall Weight 72.3 lbs (32.8 kg)