

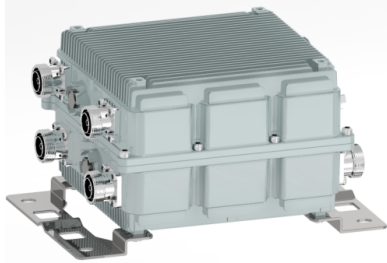


Filters & Combiners

DATA SHEET

Wideband Hybrid Combiner

HLO-77-2-xx



- Wideband Hybrid Combiner with Integrated Load covering 698 - 2700 MHz
- Compact twin unit with excellent return loss
- High in-band isolation of 30 dB
- Outdoor capable unit rated at IP67
- Very low PIM
- High power Handling 150W per combiner and 3KW peak
- RoHS and AISG 2.0 compliant

Overview

CCI's Wideband 2-Way Hybrid Combiner with Integrated Load provides a solution where combining two RF inputs into one output is required. The unit is housed in a weatherproof outdoor enclosure for outdoor basestation or tower mount applications.

Technical Description:

CCI's Outdoor Wideband 2-Way Hybrid Combiner with Integrated Load covers the full 698 - 3800 MHz spectrum. The unit is housed in an IP67 moisture proof enclosure, with IP67 moisture proof connectors suited for long-life. The combiner can be wall or pole mounted.



Filters & Combiners

SPECIFICATIONS

Wideband Hybrid Combiner

HLO-77-2-xx

Electrical

RF Parameters	Ports	Frequency(MHz)	Specification
Total Insertion Loss	Port 1/Port 2 to COM	698 - 2700	3.5 dB \pm 0.4 dB
Isolation	Port 1 to Port 2	698 - 2700	30 dB typical
Return Loss	All Ports	698 - 2700	20 dB min.

General Characteristics	
Impedance	50 ohms
Continuous Average Power	150 W maximum
Peak Envelope Power	3 kW maximum
Intermodulation Performance	<-155 dBc (-112 dBm) minimum
DC Pass Current/AISG Pass	DC path: Port 2 to COM (max 2.5 A per AISG 2.0)

Environmental

Operating Temperature	-40 °C to +65 °C
Ingress Protection	IP67
Relative Humidity	5 - 95%
Lightning Protection	8/20us, \pm 10KA max, 10 strikes per IEC61000-4-5

Mechanical

Parameters	HLO-77-2Tx (Twin)
Input Connectors	7-16 or 4.3-10 female \times 4
Output Connectors	7-16 or 4.3-10 female \times 2
Dimensions (incl. brackets)(HxWxD)	11.14 \times 7.76 \times 5.778 in. (293.0 \times 197.0 \times 152.0 mm)
Weight with brackets	19.8 lbs (9.0 Kg)
Mounting	Pole/Wall mounting bracket

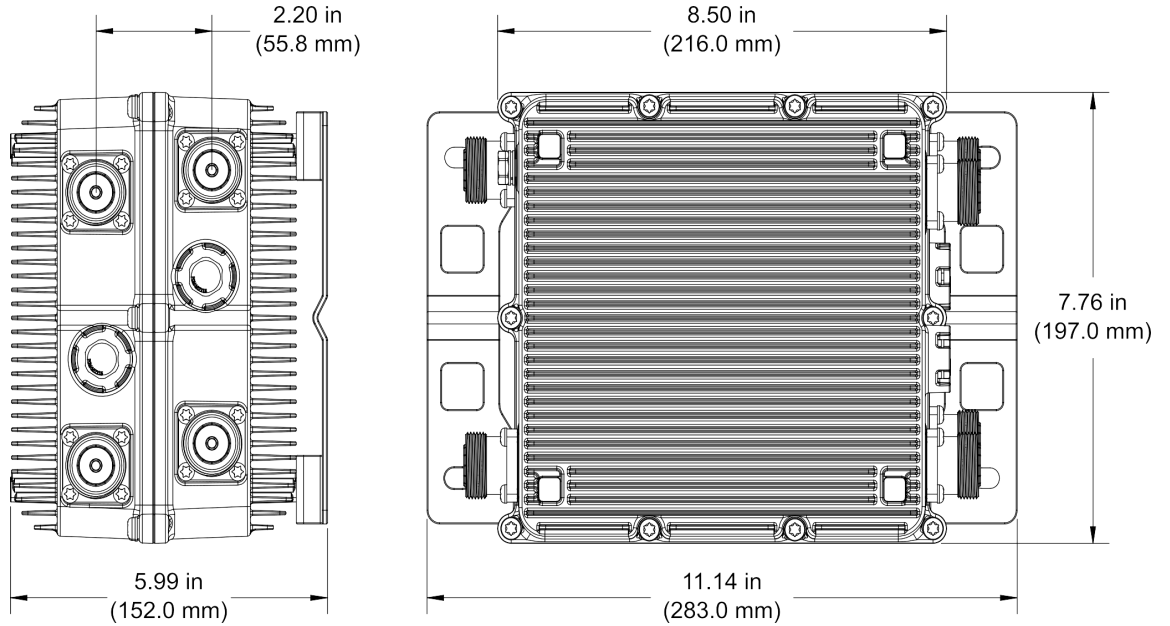


Filters & Combiners

SPECIFICATIONS

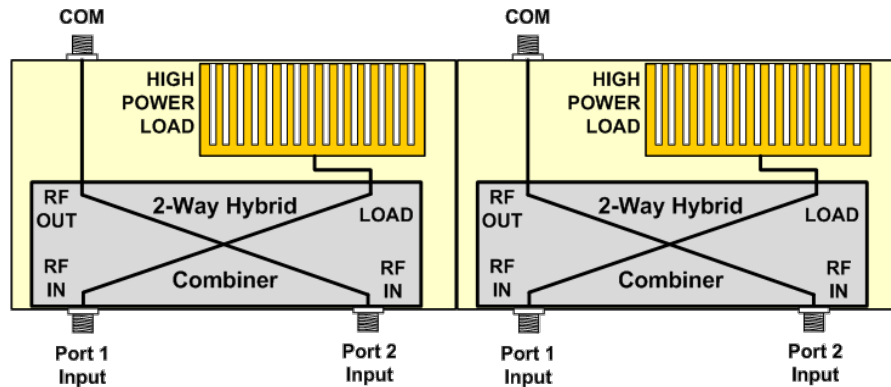
Wideband Hybrid Combiner

HLO-77-2-xx



2-Way Hybrid Combiner with Integrated Load Outline Drawing

Block Diagram



2 Way Hybrid Twin Combiner with Integrated Load Block Diagram



Filters & Combiners

STANDARDS & CERTIFICATIONS

Wideband Hybrid Combiner

HLO-77-2-xx

Parts & Accessories

- HLO-77-2-T1** Outdoor Wideband 2-Way Twin Hybrid Combiner with Integrated Load and DIN Connectors
- HLO-77-2-T2** Outdoor Wideband 2-Way Hybrid Twin Combiner with Integrated Load and 4.3-10 Connectors

Standards & Compliance

Safety	EN 60950-1, UL 60950-1
Emission	EN 55022
Immunity	EN 55024
Environmental	IEC 60068-2-1, IEC 60068-2-2, IEC 60068-2-5, IEC 60068-2-6, IEC-60068-2-11, IEC 60068-2-14, IEC 60068-2-18, IEC 60068-2-27, IEC 60068-2-29, IEC 60068-02-30, IEC 60068-2-52, IEC 60068-2-64, GR-63-CORE 4.3.1, EN 60529 IP65 & IP67

Certifications

Antenna Interface Standards Group (AISG), Federal Communication Commission (FCC) Part 15 Class B, CE, CSA US, ISO 9001

